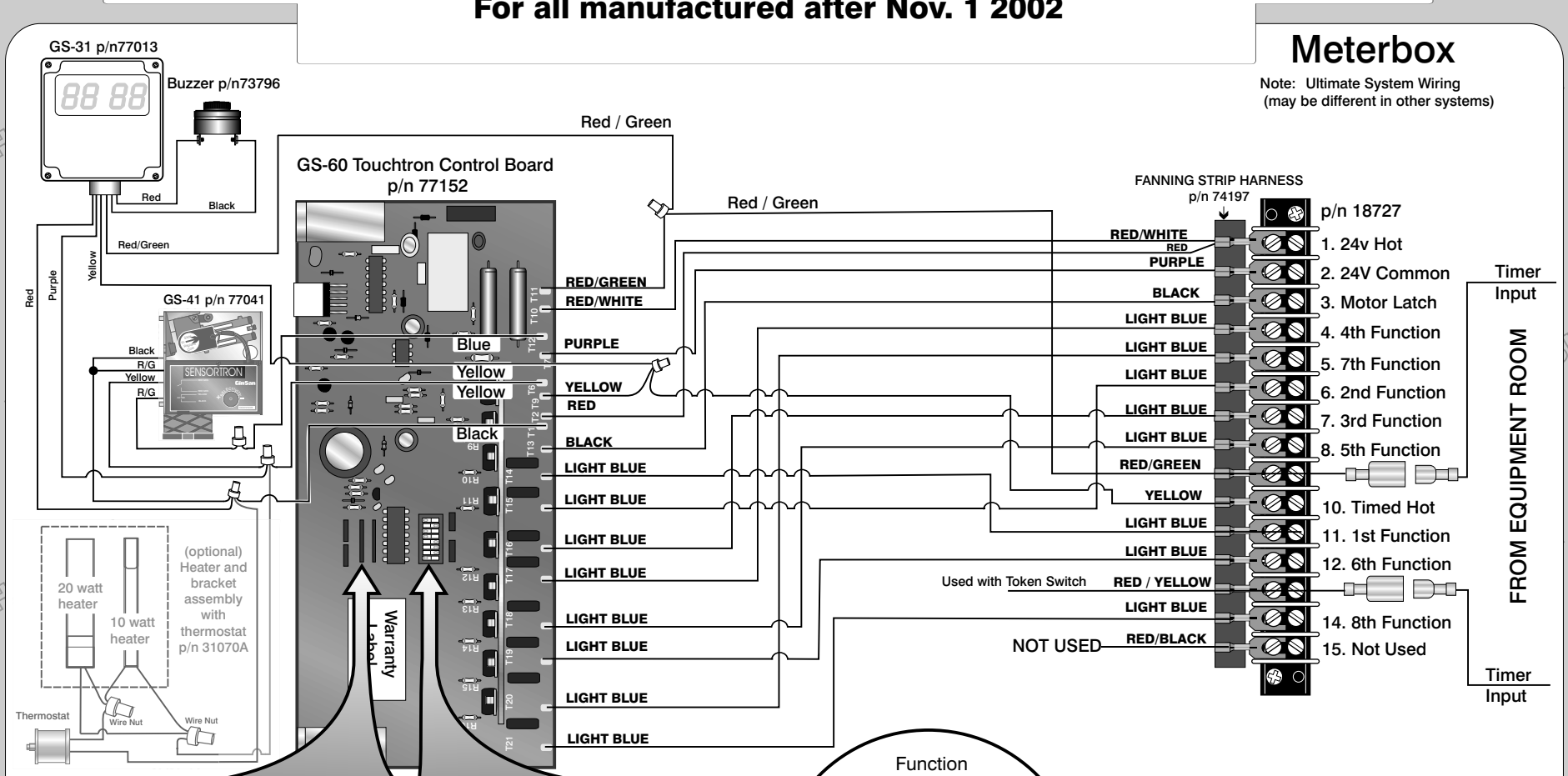


## Touchtron GS-60 Wiring WITH FANNING STRIP

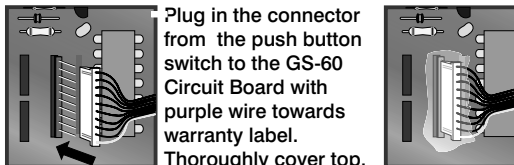
For all manufactured after Nov. 1 2002

### Meterbox

Note: Ultimate System Wiring  
(may be different in other systems)



#### Connect Push Button Switch To Circuit Board

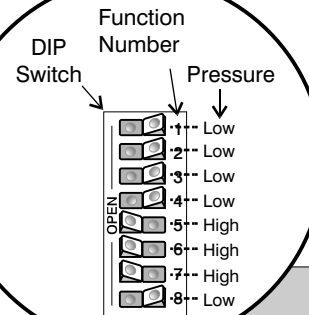


Plug in the connector from the push button switch to the GS-60 Circuit Board with purple wire towards warranty label. Thoroughly cover top, bottom and sides from circuit board to wires with a sealant about 1/8" thick. Use RTV 108 or equivalent. **This connection must be waterproof.**

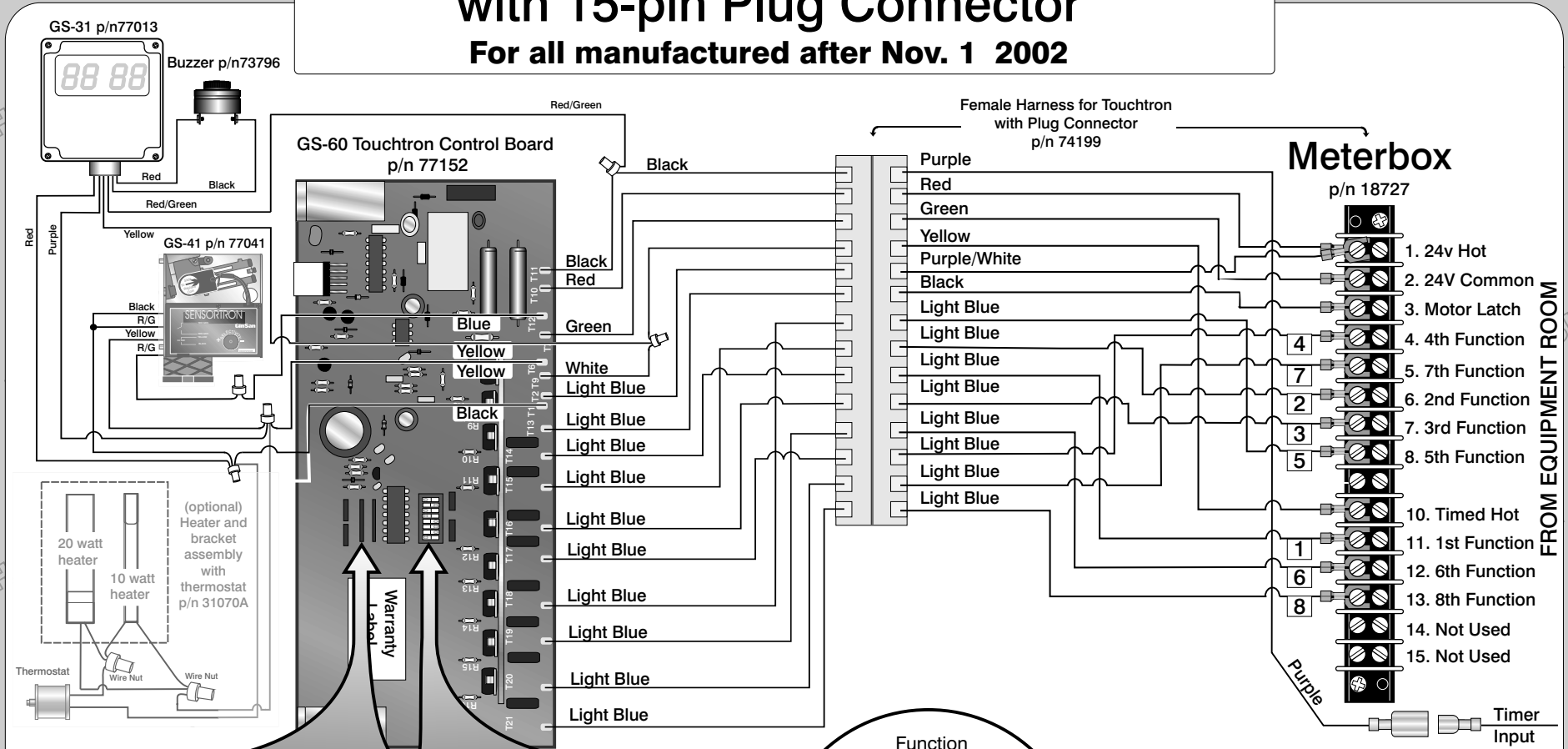
#### High and Low Pressure Settings

Locate the DIP Switch on the Touchtron Circuit Board and remove plastic cover. A function is "low" pressure when the left side is down. A function is "high" pressure when the right side is down. To change pressure, push switch down on the appropriate side. STOP is not one of the 8 functions.

**Replace plastic cover over DIP Switch.**



## Touchtron GS-60 Wiring with 15-pin Plug Connector For all manufactured after Nov. 1 2002



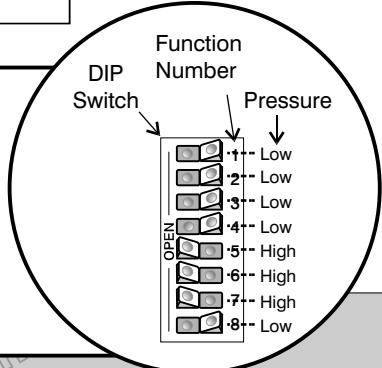
FROM EQUIPMENT ROOM

**Connect Push Button Switch To Circuit Board**

Plug in the connector from the push button switch to the GS-60 Circuit Board with purple wire towards warranty label. Thoroughly cover top, bottom and sides from circuit board to wires with a sealant about 1/8" thick. Use RTV 108 or equivalent. **This connection must be waterproof.**

**High and Low Pressure Settings**

Locate the DIP Switch on the Touchtron Circuit Board and remove plastic cover. A function is "low" pressure when the left side is down. A function is "high" pressure when the right side is down. To change pressure, push switch down on the appropriate side. STOP is not one of the 8 functions. **Replace plastic cover over DIP Switch.**



Note:  
Ultimate System Wiring  
( may be different in  
other systems )