

INSTALLATION:

3 PHASE WIRING HOOK-UP

Connect incoming 208v* or 230v 3 phase power to L1, L2, L3 on motor contactor.

1 PHASE WIRING HOOK-UP

If using 208v* or 230v single phase power, connect to L1 and L3 of motor contactor.

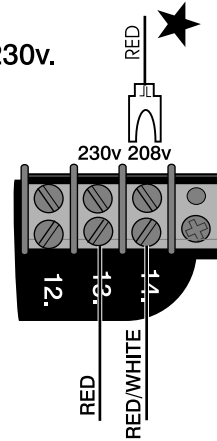
NOTE:

System is wired for incoming 230v.

If using 208v, disconnect ***** wire from terminal "13" and connect to terminal "14" on 14 position terminal strip. Repeat this step on all additional bays.

NOTE:

CONTROL PANEL MUST BE GROUNDED



THERMOSTAT	
Terminal Strip	Thermostat
C. -----R	
D. -----W	

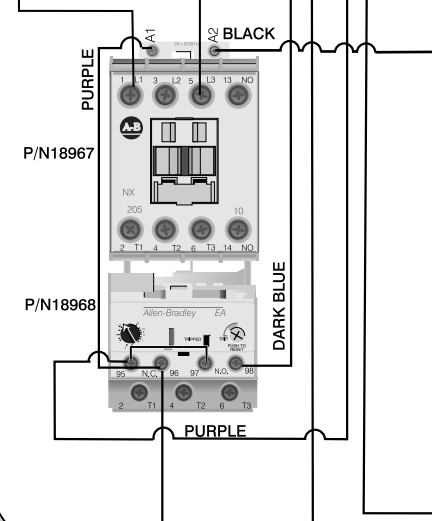
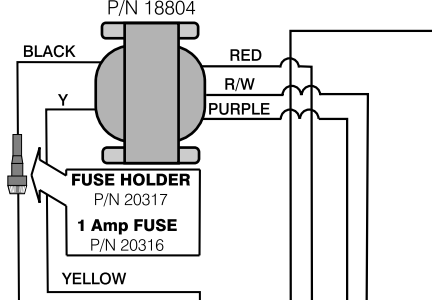
FOR MORE THERMOSTAT INFO SEE T/G-200

OPTIONAL WEEP MIZER	
Terminal Strip	Weep Mizer
C. -----9	
D. -----8	
F. -----10	

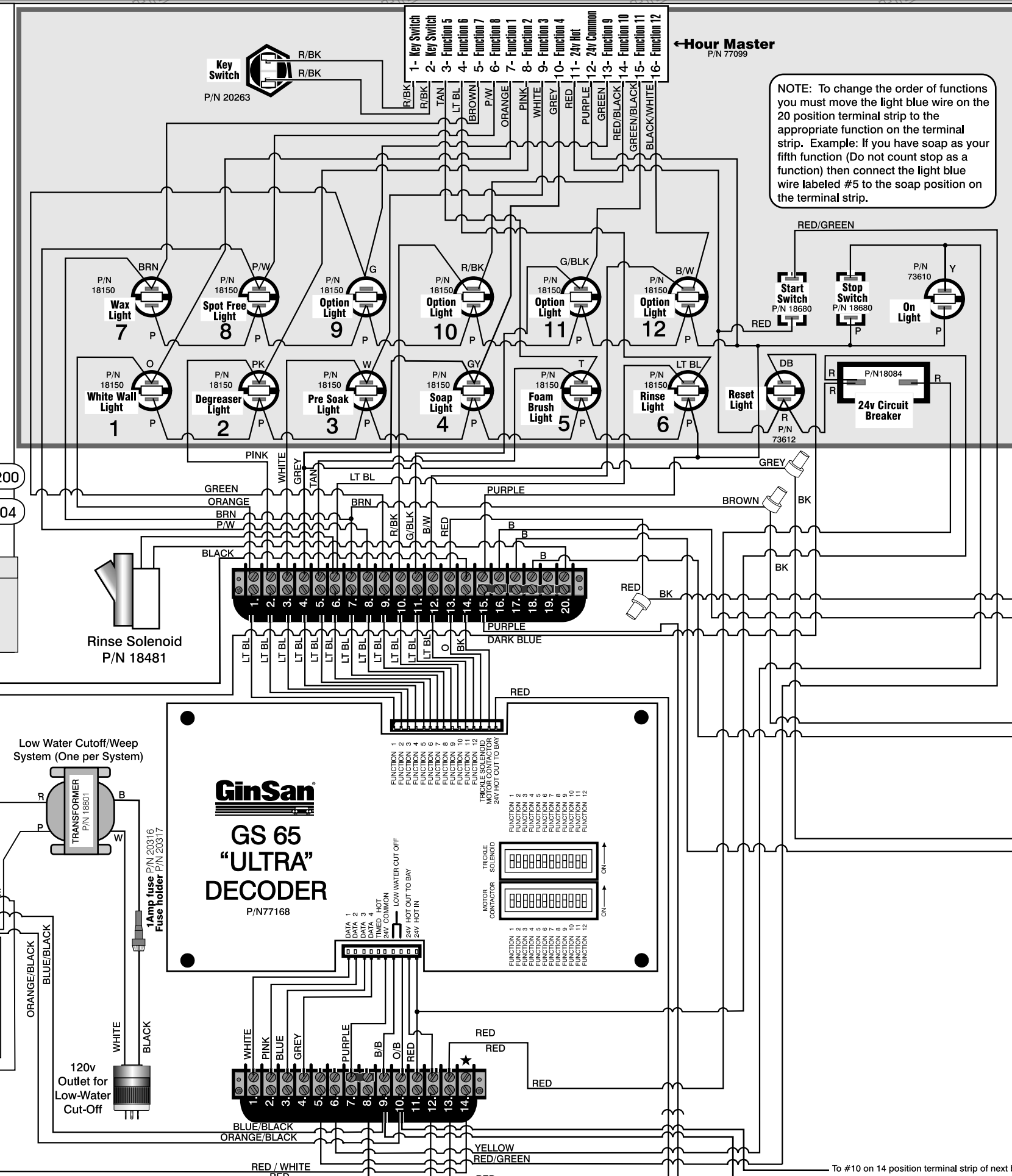
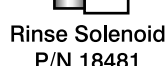
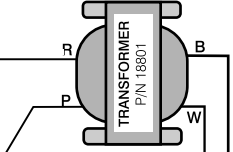
FOR MORE WEEP MIZER INFO SEE T/G-304

Functions on 6 Position Terminal Strip	
A. -----	Not Used
B. -----	Not Used
C. & D. -----	Weep Thermostat
C. & E. -----	Low Water Cut Off Switch

TRANSFORMER



Low Water Cutoff/Weep System (One per System)



NOTE: To change the order of functions you must move the light blue wire on the 20 position terminal strip to the appropriate function on the terminal strip. Example: If you have soap as your fifth function (Do not count stop as a function) then connect the light blue wire labeled #5 to the soap position on the terminal strip.

Ultra
By GinSan

Control Box Wiring

WHEN USED WITH THE GS-400 DISPLAY TIMER

COLOR LEGEND	
B--- BLACK	P/W--- PURPLE/WHITE
B/W--- BLACK/WHITE	O--- ORANGE
BL--- BLUE	O/B--- ORANGE/BLACK
B/BLK--- BLUE/BLACK	R--- RED
B/G--- BLUE/GREEN	R/BK--- RED/BLACK
BRN--- BROWN	R/G--- RED/GREEN
DB--- DARK BLUE	R/O--- RED/ORANGE
G--- GREEN	R/W--- RED/WHITE
GY--- GREY	R/Y--- RED/YELLOW
LT BL--- LIGHT BLUE	T--- TAN
PK--- PINK	W--- WHITE
P--- PURPLE	Y--- YELLOW
G/BLK--- GREEN/BLACK	

Functions on 20 Position Terminal Strip	
Function	Color
1-- Whitewall	Orange
2-- Degreaser	Pink
3-- Presoak	White
4-- Soap	Grey
5-- Foam Brush	Tan
6-- Rinse	Lt. Blue
7-- Wax	Brown
8-- Spot Free	Purple/White
9-- Option	Green
10-- Option	Red/Black
11-- Option	Red/Orange
12-- Option	Black/White
13-- Trickle Valve	Orange & Red
14-- Motor Latch	Blk/Red & Blk
15-- 24V Common	Purple or Blk
16-- 24V Common	Purple or Blk
17-- 24V Common	Purple or Blk
18-- 24V Common	Purple or Blk
19-- 24V Common	Purple or Blk
20-- 24V Common	Purple or Blk

Functions on 14 Position Terminal Strip	
Function	Color
1-- Data 1	White
2-- Data 2	Pink
3-- Data 3	Blue
4-- Data 4	Grey
5-- Coin Pulse	Red/Green
6-- Timed Hot	Yellow
7-- 24 V Common	Purple
8-- 24 V Common	Purple
9-- Low Water Cut-off	Blue/Black
10-- Low Water Cut-off	Orange/Blk
11-- 24V Hot in	Red
12-- 24V Hot to Bay	Red
13-- 24V 230 Feed	Red
14-- 24V 208 Feed	Red/White

Connect Wires for Meterbox to 14 position terminal strip as indicated above.